

DELTA®-THENE

Self-adhering waterproofing membrane.

Installation instructions for below grade foundation waterproofing.

Health and Safety

- Required safety equipment: hard hat, safety boots, gloves, safety glasses.
- Always follow all safety precautions as directed by the Occupational Safety and Health Administration (OSHA-USA) or the Construction Safety Association (Canada).
- Please refer to Material Safety Data Sheets for all components and observe all recommended safety precautions therein.
- The general codes of practice for protection at work and instructions of the manufacturers for tools and components are to be observed at all times.

Recommended Materials

- DELTA®-THENE waterproofing membrane
- DELTA®-COLDJOINT BARRIER
- DELTA®-PRIMER (water-based) or DELTA®-ADHESIVE (solvent-based)
- DELTA®-SEALANT
- DELTA®-FLEXX BAND
- DELTA®-DRAIN or DELTA®-MS

Recommended Tools

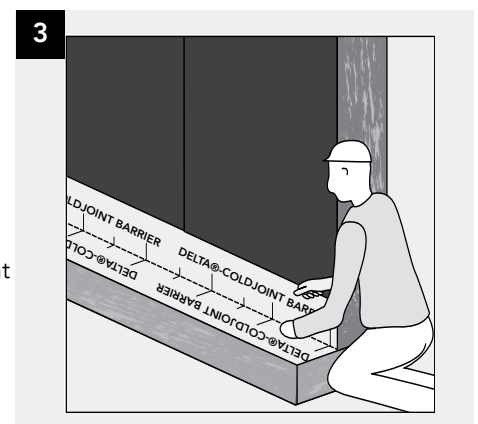
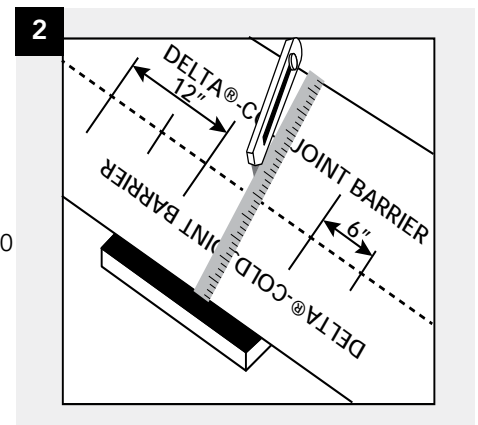
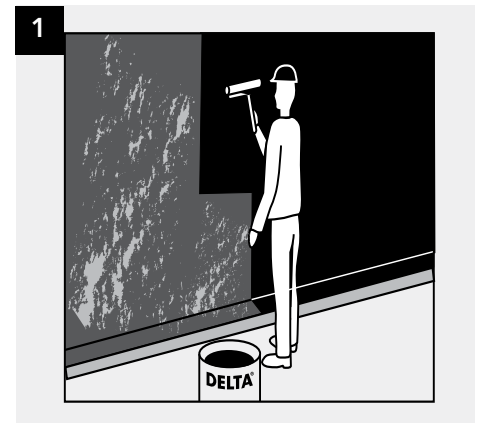
- Hand roller
- Short nap paint roller and handle
- Utility knife
- Large caulking gun, chalk line, broom, work gloves

Notes and Limitations

- These installation instructions for DELTA®-THENE are intended only as a guide and are for the convenience of the contractors, specifiers, and other interested parties. The final application and details are the sole responsibility of the design authority on record for the project.
- Always confirm the local building code requirements prior to installation.
- These installation instructions are suitable for DELTA®-THENE 40 or DELTA®-THENE 60 when used in vertical below grade waterproofing applications.
- Ensure protrusions that may penetrate the membrane are removed from substrate.
- Prior to installation of DELTA®-COLDJOINT BARRIER, clean top of footing of any gravel and debris with a broom.
- All surfaces should be dry, structurally sound and free from spalled areas. Repair any cracks in the foundation wall larger than 1/10" (3 mm).
- Patch any rough areas or areas of unconsolidated concrete with mortar or grout.
- DELTA®-ADHESIVE must be used only in well-ventilated areas.
- When applying DELTA®-COLDJOINT BARRIER or DELTA®-THENE to an Insulated Concrete Form (ICF) foundation, use only DELTA®-PRIMER. Using DELTA®-ADHESIVE will cause deterioration of ICF wall.
- Hand roll DELTA®-THENE and DELTA®-COLDJOINT BARRIER with hand roller to ensure proper adhesion.
- Maximum exposure time:
 - DELTA®-THENE and DELTA®-COLDJOINT BARRIER shall not be exposed to UV light (sunlight) for more than 30 days.

Installation

- Mark a line (i.e. snap a chalk line) at expected final grade line as a starting point.
- Priming Substrate:
 - Apply primer with short nap roller at recommended application rate to the substrate. Apply only to substrate, not to DELTA®-THENE or DELTA®-COLDJOINT BARRIER. Apply only to areas to be waterproofed that day. Areas not covered by



membrane must be reprimed next work day prior to continuing membrane application. (see Detail 1)

- Allow primer to dry a minimum of 30 minutes or until tack-free prior to applying the membrane. Actual drying time may be longer in cold temperatures or humid conditions.
- Pretreat Cold Joint, Inside and Outside Corners:
 - Precut DELTA®-COLDJOINT BARRIER to the desired length. (see Detail 2)
 - Apply DELTA®-COLDJOINT BARRIER to the wall/footing junction (the cold joint), centering the middle of the membrane at the dotted line over the inside corner. (see Detail 3) (see DELTA®-COLDJOINT BARRIER installation instructions)
 - Apply DELTA®-COLDJOINT BARRIER to the inside and outside corners, centering the middle of the membrane over the corners.
- Installing DELTA®-THENE:
 - Precut DELTA®-THENE to desired length.
 - Peel back release liner at the top of membrane 12" - 24" (30 cm - 60 cm) and adhere to substrate. (see Detail 4)
 - Pull the release liner downward while pressing the membrane firmly to the substrate. Hand roll DELTA®-THENE with hand roller to ensure proper adhesion.
 - Ensure the DELTA®-THENE overlaps onto the DELTA®-COLDJOINT BARRIER down to top of footing. (see Detail 4)
 - Remove the release strip from the edgebead of the DELTA®-THENE.
 - Ensure the succeeding sheets of DELTA®-THENE overlap the previous sheet by a minimum of 2 1/2" (65 mm) using the printed dotted lap line as a guide. (see Detail 5)
 - Overlap end laps (horizontal laps) minimum 2 1/2" (65 mm), ensuring all overlaps shingle downwards.
 - At grade seal the top edge of the DELTA®-THENE with DELTA®-SEALANT to ensure a proper adhesion. (see Detail 6)

Penetrations

- Cut DELTA®-THENE as tightly as possible around all penetrations. Apply DELTA®-FLEXX BAND around the penetration so that 2" (5 cm) is applied to the penetration and 2" (5 cm) is applied to the DELTA®-THENE. (see Detail 7)

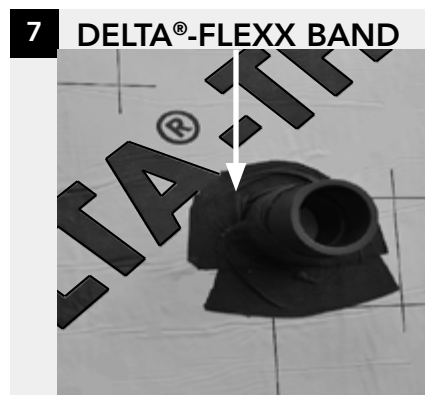
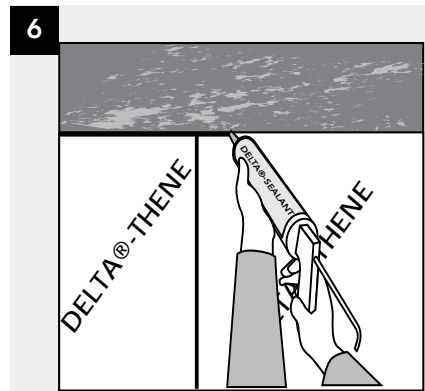
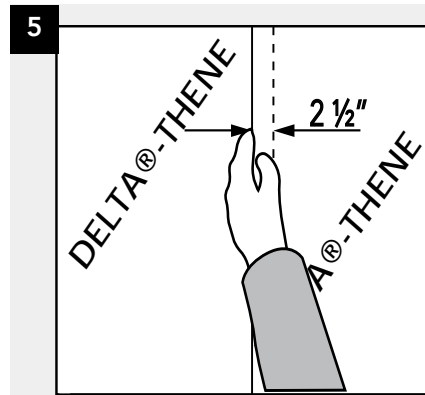
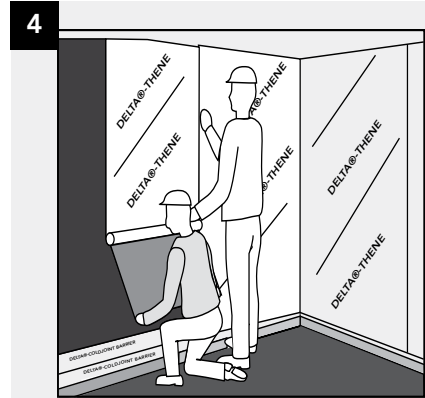
Inspection and Clean-up

- Inspect DELTA®-THENE for rips, tears, unadhered areas, or other deficiencies.
- Patch any rips, tears, or holes with a piece of DELTA®-COLDJOINT BARRIER or DELTA®-THENE 2" (5 cm) larger than the hole.
- Pierce any air bubbles with a utility knife. Press firmly to press out air. Patch as described above.
- Walk around foundation and ensure all materials are installed as required.
- Clean up all excess materials and remove from excavation.

Complete Foundation Protection

- Proceed with application of DELTA®-DRAIN or DELTA®-MS. (see DELTA®-DRAIN or DELTA®-MS installation instructions)

For technical support, call our technical support team at 1-888-4DELTA4 (1-888-433-5824) extension 326, or visit www.cosella-dorken.com.



COSELLA DÖRKEN
 Cosella-Dörken Products Inc.
 4655 Delta Way
 Beamsville, Ontario
 LOR 1B4
 (905) 563-3255
 Fax: (905) 563-5582
 1-888-4 DELTA 4
 info@cosella-dorken.com
 www.cosella-dorken.com
A company of the Dörken Group

The information printed in this brochure reflects product information and specifications at the date of printing. The manufacturer reserves the right to make changes when necessary. All rights reserved.



DELTA®-branded quality products
 manufactured by Cosella-Dörken.